

DAM-1 SERIES, 1WATT, 1KVDC, ISOLATED, UNREGULATED

FEATURES:

- ✓ 1000Vdc isolation voltage
- ✓ Single, dual and isolated twin output models
- ✓ High efficiency, and low ripple & noise
- ✓ Operating temperature range -40°C to +85°C
- ✓ 3 year warranty



Model	Input voltage (Vdc)	Output voltage (Vdc)	Output current (mA)		Efficiency Typ.
			Min.	Max.	
DAM1-0310	3.3(3.0~3.6)	3.3	30	300	72%
DAM1-0311		5	20	200	74%
DAM1-0312		9	11.1	111	72%
DAM1-0313		12	8.3	83	72%
DAM1-0314		15	6.7	67	72%
DAM1-0510	5(4.5~5.5)	3.3	30	300	70%
DAM1-0511		5	20	200	70%
DAM1-0512		9	11.1	111	78%
DAM1-0513		12	8.3	83	78%
DAM1-0514		15	6.7	67	80%
DAM1-0515		24	4.1	42	81%
DAM1-0521		±5	10	100	72%
DAM1-0522		±9	5.6	56	78%
DAM1-0523		±12	4.2	42	79%
DAM1-0524		±15	3.3	33	79%
DAM1-0501		5, 5	10	100	70%
DAM1-0502		9, 9	5.6	56	76%
DAM1-0503		12, 12	4.2	42	77%
DAM1-0504		15, 15	3.3	33	78%
DAM1-1210		12(10.8~13.2)	3.3	30	300
DAM1-1211	5		20	200	71%
DAM1-1212	9		11.1	111	76%
DAM1-1213	12		8.3	83	78%
DAM1-1214	15		6.7	67	79%
DAM1-1215	24		4.2	42	78%
DAM1-1221	±5		10	100	72%
DAM1-1222	±9		5.6	56	78%
DAM1-1223	±12		4.2	42	79%

DAM-1 SERIES, 1WATT, 1KVDC, ISOLATED, UNREGULATED

Model	Input voltage (Vdc)	Output voltage (Vdc)	Output current (mA)		Efficiency Typ.
			Min.	Max.	
DAM1-1224	12(10.8~13.2)	±15	3.3	33	78%
DAM1-1201		5, 5	10	100	72%
DAM1-1202		9, 9	5.6	56	78%
DAM1-1203		12, 12	4.2	42	78%
DAM1-1204		15, 15	3.3	33	80%
DAM1-1511	15(13.5~16.5)	5	20	200	79%
DAM1-1514		15	6.7	67	79%
DAM1-2410	24(21.6~26.4)	3.3	30	300	72%
DAM1-2411		5	20	200	73%
DAM1-2412		9	11.1	111	78%
DAM1-2413		12	8.3	83	78%
DAM1-2414		15	6.7	67	79%
DAM1-2415		24	4.1	42	81%
DAM1-2421		±5	10	100	72%
DAM1-2422		±9	5.6	56	79%
DAM1-2423		±12	4.2	42	80%
DAM1-2424		±15	3.3	33	80%
DAM1-2401		5, 5	10	100	71%
DAM1-2402		9, 9	5.6	56	74%
DAM1-2403		12, 12	4.2	42	76%
DAM1-2404		15, 15	3.3	33	76%

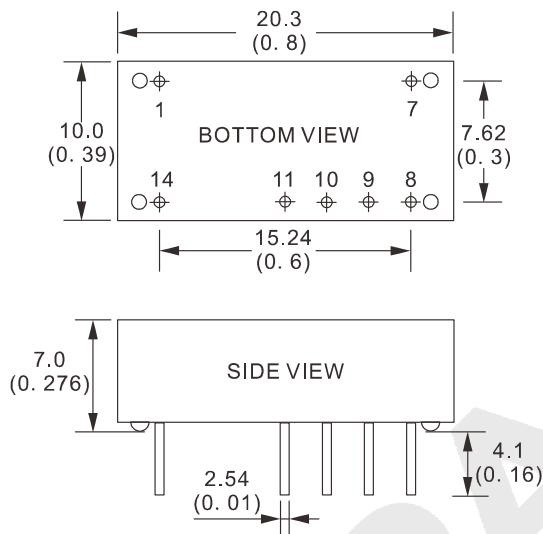
Notes: Other input and output models may available on request.

ELECTRICAL

Line regulation	---	1.2% max.
Load regulation	10% ~ 100% full load	15% max.
Isolation voltage	Leakage current < 1mA/1min.	1000Vdc min.
Isolation resistance	Test at 500VDC	1000mΩ min.
Switching frequency	---	100KHz typ.
Ripple & noise	Band width 20MHz	150mVp-p max.
Temperature coefficient	Rated load	±0.03%/°C
Operating temperature range	---	-40°C to +85°C
Storage temperature range	---	-55°C to +125°C
Short circuit protection	---	1S
MTBF	---	3500KHrs
Weight	---	2.5g

DAM-1 SERIES, 1WATT, 1KVDC, ISOLATED, UNREGULATED
ELECTRICAL

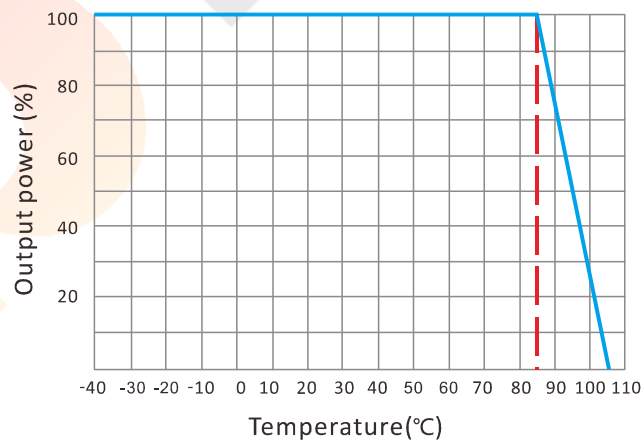
Notes: All the parameters are measured at 25°C ambient temperature, humidity < 75%, nominal input voltage, full load and after warm-up, unless otherwise specified.

MECHANICAL

CONNECTION

PIN #	SINGLE	DUAL	ISOLATED
			TWIN
1	GND	GND	GND
7	NC	NC	NC
8	0V	0V	+Vo2
9	+Vo	+Vo	0V2
10	No Pin	No Pin	+Vo1
11	No Pin	-Vo	0V1
14	+Vin	+Vin	+Vin

Note:

* Unit is mm(inch).

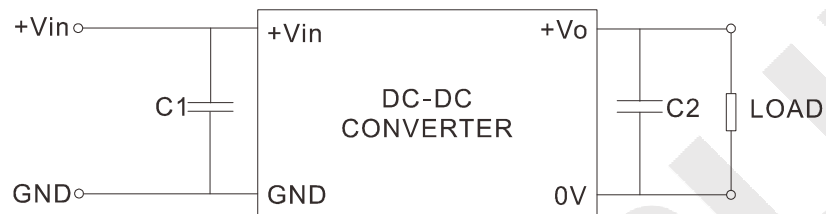
ELECTRICAL CURVE


DAM-1 SERIES, 1WATT, 1KVDC, ISOLATED, UNREGULATED

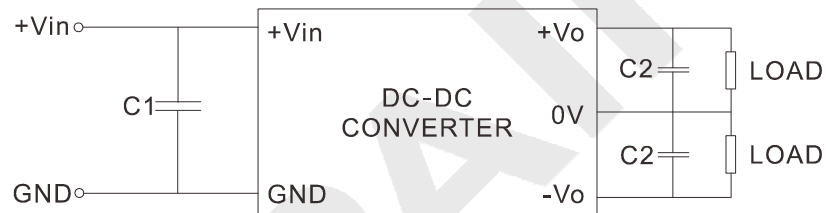
NOTE

RECOMMENDED TEST AND APPLICATION CIRCUIT

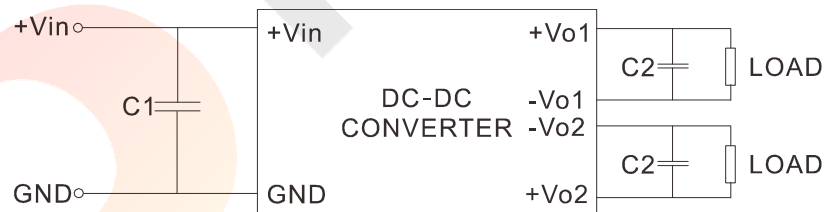
SINGLE OUTPUT



DUAL OUTPUT



TWIN ISOLATED OUTPUT



CAPACITOR SELECTION

INPUT VOLTAGE	C1	SINGLE OUTPUT	C2	DUAL OUTPUT	C2	ISOLATED TWIN OUTPUT	C2
3.3VDC	4.7 μ F	3.3VDC	10 μ F	\pm 5VDC	4.7 μ F	5, 5VDC	4.7 μ F
5VDC	4.7 μ F	5VDC	10 μ F	\pm 9VDC	2.2 μ F	9, 9VDC	2.2 μ F
12VDC	2.2 μ F	9VDC	4.7 μ F	\pm 12VDC	1.0 μ F	12, 12VDC	1.0 μ F
15VDC	1.0 μ F	12VDC	2.2 μ F	\pm 15VDC	0.47 μ F	15, 15VDC	0.47 μ F
24VDC	1.0 μ F	15VDC	1.0 μ F	\pm 24VDC	0.47 μ F	24, 24VDC	0.47 μ F
--	--	24VDC	0.47 μ F	--	--	--	--