



Specifications

Constant Voltage LED Power Supplies IP44/IP65 Series -PGZW, 35W

PAIRUI ELECTRONICS

No. 545 Museum Road
Yangzhou, Jiangsu
China 225009

Tel: 86 (514) 8279 1592

Fax: 86 (514) 8769 3159

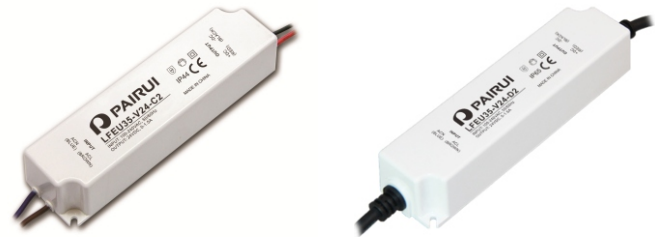
2020

LED Power Supplies for Outdoor Use

PGZW SERIES, 35WATT, IP44/IP65 RATING

Features

- 3 Years Warranty
- Universal Input Voltage Range: 100~240Vac
- Constant Voltage Output Mode
- Waterproof Rating IP44/IP65
- Built-in Active Power Factor Correction
- Class II Power, no FG
- All Round Protections: Short Circuit, Over Voltage, Over Current



Applications

- ✓ Garden Light
- ✓ Landscape Light
- ✓ Strip Light
- ✓ Cabinet Light
- ✓ Other Indoor and Outdoor used Lights

Electrical

Part Number	Output Power	Output Current	Output Voltage	Efficiency	Certificate
PGZW035V0012NSFPC2	35W	0-2500mA	12V	82%	CE
PGZW035V0024NSFPC2	35W	0-1500mA	24V	86%	CE
PGZW035V0036NSFPC2	35W	0-1000mA	36V	87%	CE
PGZW035V0048NSFPC2	35W	0-730mA	48V	88%	CE

Part Number	Output Power	Output Current	Output Voltage	Efficiency	Certificate
PGZW035V0012NSFPD2	35W	0-2500mA	12V	82%	CE
PGZW035V0024NSFPD2	35W	0-1500mA	24V	86%	CE
PGZW035V0036NSFPD2	35W	0-1000mA	36V	87%	CE
PGZW035V0048NSFPD2	35W	0-730mA	48V	88%	CE

NOTE: IP44: PGZWxxxVxxxxNSFPC1, IP65: PGZWxxxVxxxxNSFPD1

INPUT

PARAMETER	CONDITIONS	MIN	TYP	MAX	UNITS
Input frequency		47		63	Hz
Input current	Full load, Vin=230Vac		0.36		A
Inrush current	Cold start, Vin=230Vac			50	A
Power factor(PF)	Full load, Vin=230Vac		0.92		
Surge voltage	L-N		2		KV

OUTPUT

PARAMETER	CONDITIONS	MIN	TYP	MAX	UNITS
Output voltage accuracy			±5		%
Line regulation	Vin from 100Vac to 240Vac		±5		%
Load regulation	Vout from min. to max.		±5		%
Turn-on delay time	Full load, cold start, power on		1000		ms
Ripple	Please refer to below measuring method		20%Vo		mVp-p
THD	Output load (Full load)			20	%

NOTE: The values are measured at 20MHz of bandwidth by using a 12" twisted pair-wire terminated with 0.1uF & 47uF parallel capacitor under ambient temperature 25°C at rated input voltage and rated load.

Protection

Short circuit	In hiccup mode, it will recover automatically after fault condition is removed
Over voltage	110-150% Vout, it will recover automatically after fault condition is removed
Over current	In hiccup mode, it will recover automatically after fault condition is removed

Environment

PARAMETER	CONDITIONS	MIN	TYP	MAX	UNITS
Ambient operating temperature	Startup at rated voltage (Derating required)	-25		+50	°C
Operating relative humidity	Non condensing	20		90	%
Storage temperature	Humidity 10 ~ 95% RH	-40		+80	°C
Maximum case temperature	Hot-spot on case			+75	°C
Lifetime	Full load, 220Vac input, 25°C ambient temperature	30			Khrs
Waterproof rating	Slim wire IP44 Heavy wire IP65				
Dimension(LxWxH)	151.4 x 40.0 x 30.2mm				
Weight	340g				

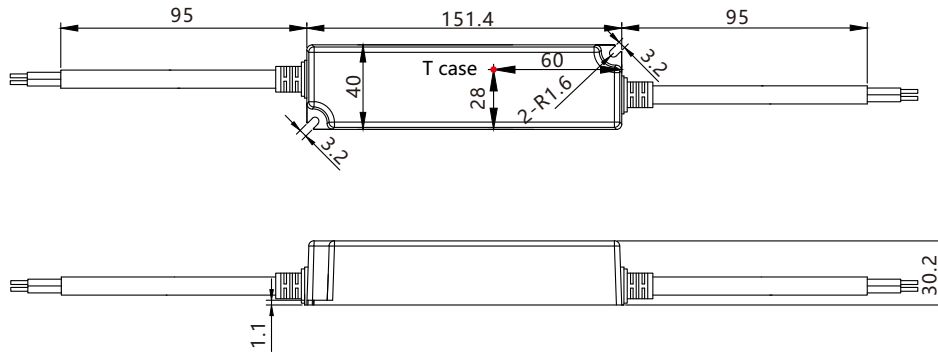
Safety/EMC

Safety	Design refer to UL8750, EN61347, EN61347-2-13
EMC	Compliance to EN55015, FCC Part 15 Class B, EN61000-3-2, EN61000-3-3, EN61000-4-2, 3, 4, 6, 8, 11, EN61547

NOTE: Unless otherwise specified, all the above parameters are measured at ambient temperature of 25°C and Vin=100Vac to 240Vac.

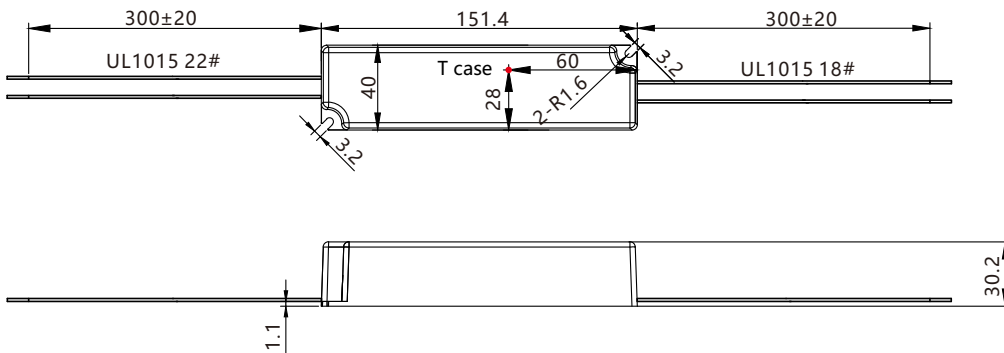
Mechanical

Heavy wires



Unit: mm

Slim wires



Unit: mm

Electrical Curve

